

XP1(HLN9457)

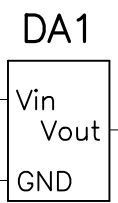
sig	pin
+12V	13
Rx	11
Tx	2
Gnd	7
Ext PTT	3
CD 0	12
CD 1	

XP3
Jack 3.5 mm

mic	1
gnd	2

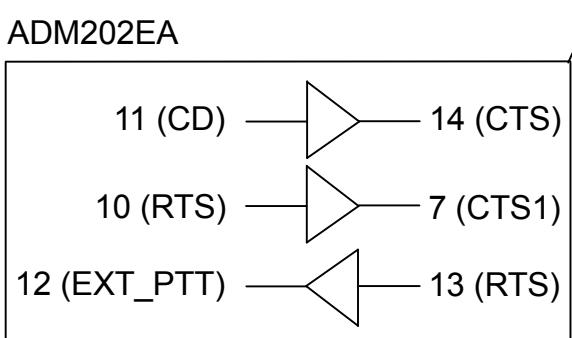
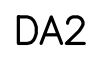
XP4
Jack 3.5 mm

spk	1
gnd	2



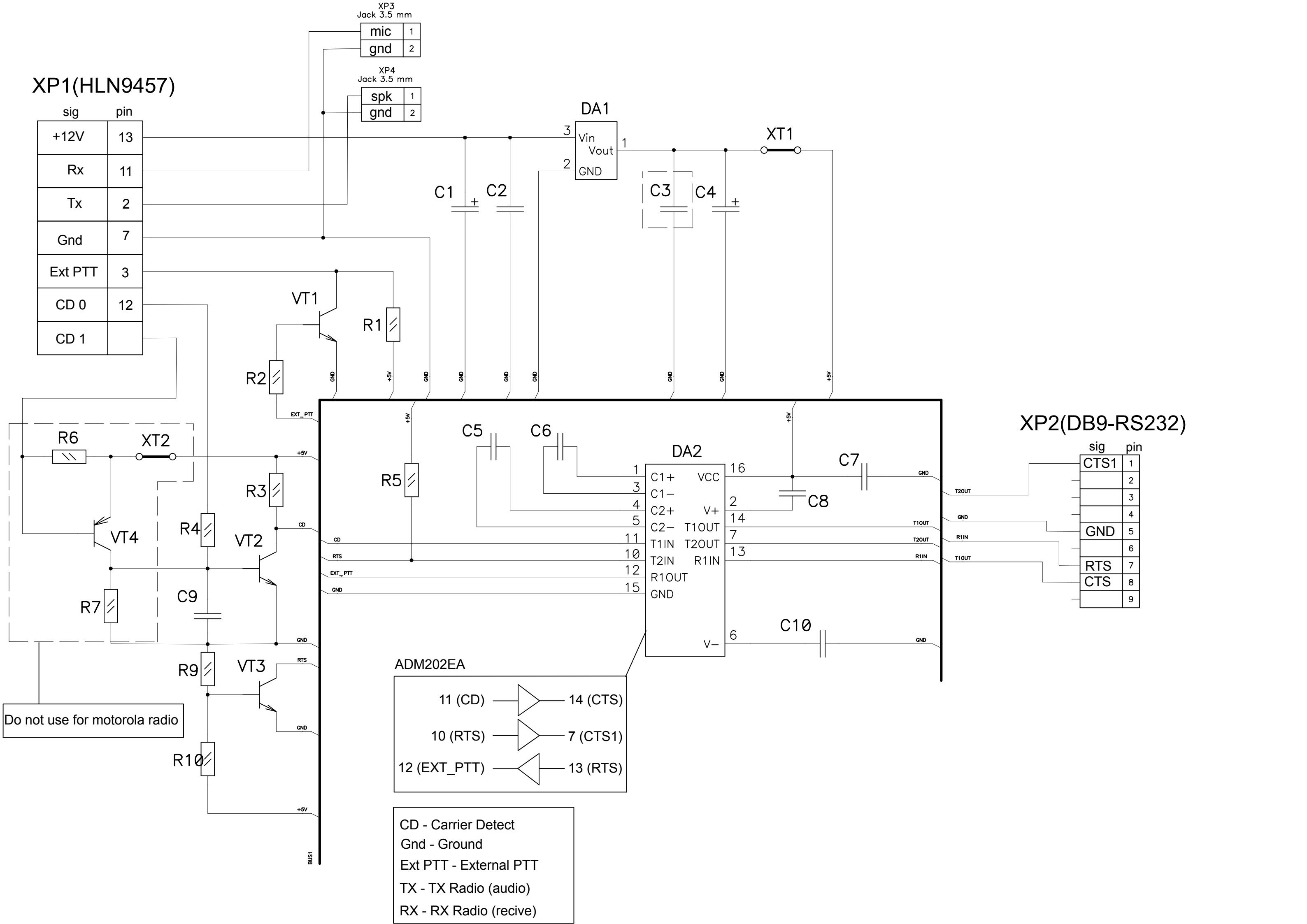
XP2(DB9-RS232)

sig	pin
CTS1	1
	2
	3
	4
GND	5
	6
RTS	7
CTS	8
	9



CD - Carrier Detect
 Gnd - Ground
 Ext PTT - External PTT
 TX - TX Radio (audio)
 RX - RX Radio (recive)

Do not use for motorola radio



pos/sign	Name	Amount	Note
DA1	Chip LM78L05XM3	1	
DA2	Chip ADM202EA	1	
C1	Capacitor TAJ-C-105-K-035 B-6,8 μ F 10% (chip tantal C case) AVX – 35V	1	
C2,C3,C5...C8, C9, C10	Capacitor CL21-X7R-1 1.0 μ F 50V +(30-80)%	8	
C4	Capacitor TAJ-C-105-K-010 B-100 μ F 10% (chip tantal C case) AVX – 10V	1	
R1, R3, R4	Resistors 0805 5.6K \pm 10%	3	
R2	Resistors 0805 10K \pm 10%	1	
R5...R7	Resistors 0805 100K \pm 10%	4	
R9,R10	Resistors 0805 5.6K \pm 10%	2	
VT1...VT3	Transistors BC 847C, SOT23 LT1	3	