



SmartPTT RG-1000e

SmartPTT RG-1000e is a gateway that is used to connect MOTOTRBO control station to SmartPTT Radioserver using IP channel – corporate IP-network or Internet.

Benefits

Easy configuration and deployment of the system

- Lower radio interference by means of geographically distributed control stations
- Less time and resources required for the radio system deployment
- Operates in harsh environments

Cost reduction

- Less radioservers required
- No expensive sound cards for the radioserver
- Low-cost maintenance of the system

Especially Needed If

- There is no direct IP connection of a repeater to a radioserver or system architecture does not provide it
- The radioserver soundcard does not support a sufficient number of audio channels to connect to control stations
- In operating environments with a narrow frequency range to avoid interference between control stations (ex. some airports)
- For communication of the radio subscribers with the dispatcher in locations, where installation of repeaters is not economically feasible

Top Solution in Verticals

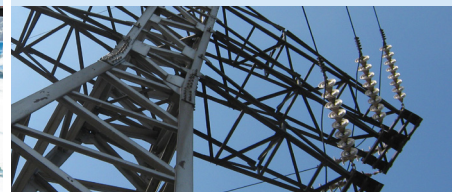
Transportation



Logistics



Energy



Oil and Gas



Public Safety



Ambulance



New RG-1000e: Strives To Be Better

Safe and eco-friendly



IEC/
EN60950-1

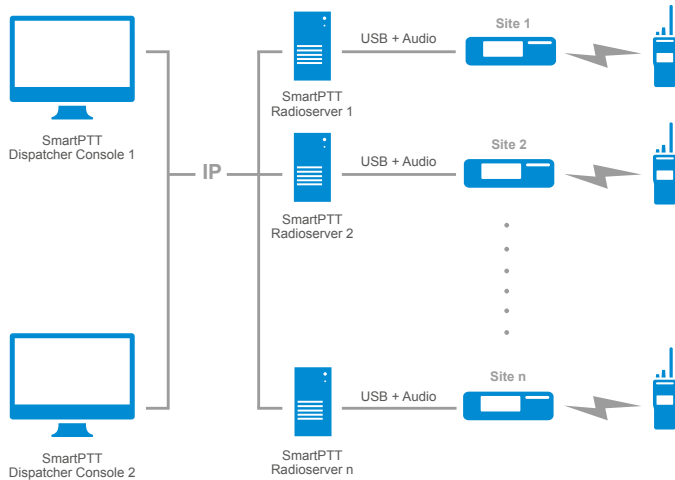


High-quality and reliable operation due to EMC improvements

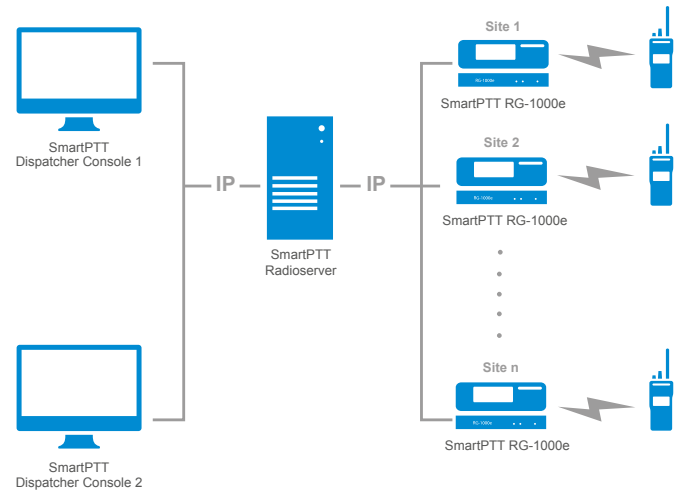
Improved convenient case design

SmartPTT RG-1000e in conventional and trunking MOTOTRBO radio systems without direct IP connection to repeaters

Without SmartPTT RG-1000e



With SmartPTT RG-1000e



RG-1000e Gateway Specification

Network Interface Parameters

Connector	RJ45 LAN
Standard	10BASE-T (IEEE 802.3) / 100BASE-TX (IEEE 802.3u)

Support of Radio Operation Modes

Support of MOTOTRBO radio models	EMEA region: DM46**e, DM44**e, DM46**, DM44**, DM2600 APAC region: XiR M8600i, XiR M8600, XiR M6660 NA region: XPR 5***e, XPR 5***, XPR 2500 LA region: DGM 8***e, DGM 5***e, DGM 8***, DGM 5***, DEM500
Support of radio operation modes	Digital MOTOTRBO Analog MOTOTRBO

Power Supply

Power supply voltage of the gateway	10.5–15.0 VDC
Power consumption	2W or less

Design

Gateway dimensions	7.09x5.67x1.18 inches (180x144x30 mm)
--------------------	---------------------------------------

Operating Conditions

Operating temperature range	–4° to 140°F (–20° to +60°C)
Relative humidity	Up to 85% at 86°F (30°C)
Operating hours	24x7

Note: MOTOTRBO radio should be purchased separately