

TELEMETRY DATA TRANSMISSION IN MOTOTRBO SYSTEMS

AdapTel is an interface adapter for receiving and transmitting telemetry data from distributed industrial objects to the dispatch level of the customer's SCADA systems in DMR networks

Benefits

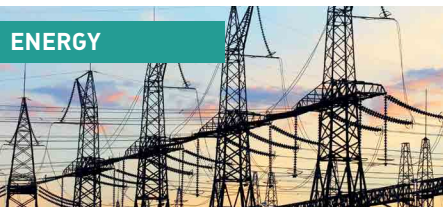
- **Reliability:** Use of the private fail-secure communication channel, independent of third-party operators
- **Cost-efficiency:** Data transmission via voice communication infrastructure, no extra frequencies required
- **Network load optimization:** Customized methods of data collection and transmission
- **Flexibility:** Independence from dispatch software and compatibility with any SCADA software

Functionality and characteristics

- **Equipment status monitoring:** Uninterrupted data acquisition, even in an emergency
- **Point-to-multipoint communication:** Opportunity to control a large amount of distributed facilities
- **Data visualization:** Intuitive software for real-time equipment monitoring and control
- **Robustness:** Wide range of operating temperatures, protection against reverse polarity
- **Easy configuration:** User-friendly web interface to make settings

Verticals

ENERGY



UTILITES



MINING



OIL & GAS



MANUFACTURING

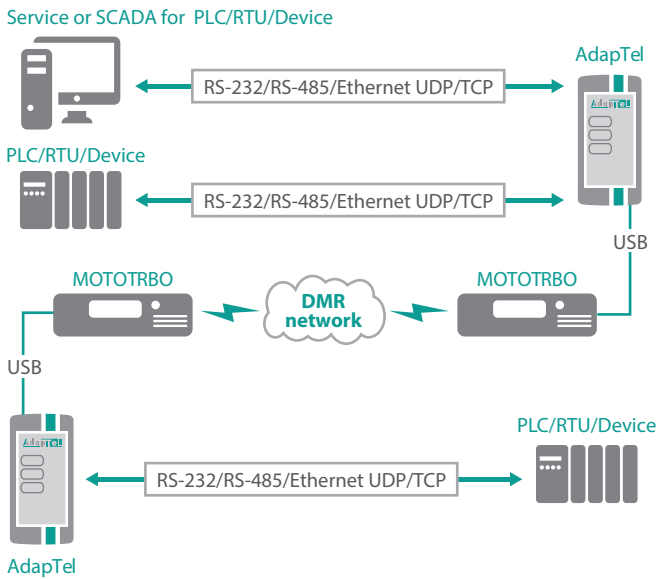


AIRPORTS



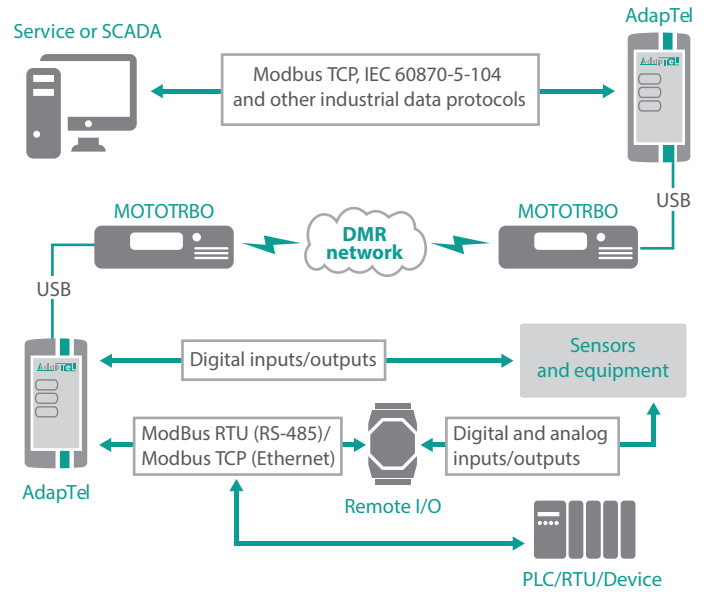
Two Operation Modes

Transparent Mode



AdapTel provides transparent channel for communication between third-party devices (PLC/RTU/Meters/Sensors/etc) and SCADA software in DMR networks

RTU Mode



AdapTel collects technological signals and controls technological equipment through built-in digital input (DI) and digital output (DO) channels, as well as through third-party input/output expansion modules using Modbus data protocol

Specification

Model	SB70	SB70-16DI	SB70-16DI/DO
USB (2.0)		4	
Ethernet		1	
RS-485/RS-232		1	
Input / Output channels	3 DI channels	19 DI channels	3 DI channels, 16 DI/DO channels
	Number and variety of channels can be increased by using Modbus TCP/Modbus RTU (RS-485) expansion I/O modules		
Indication	4: Power, Ready, Transmit AIR MOTOTRBO, Receive AIR MOTOTRBO		
Watchdog timer	Yes		
Web interface for configuration	Yes		
Input voltage	9...30 V (3 W)		
Operating temperatures range	-30...+70 °C (-86...158 F)		
Dimensions	47x125x90 mm (1,9x4,9x3,5 inches)	67x125x90 mm (2,6x4,9x3,5 inches)	